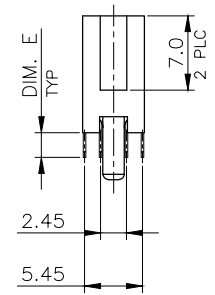
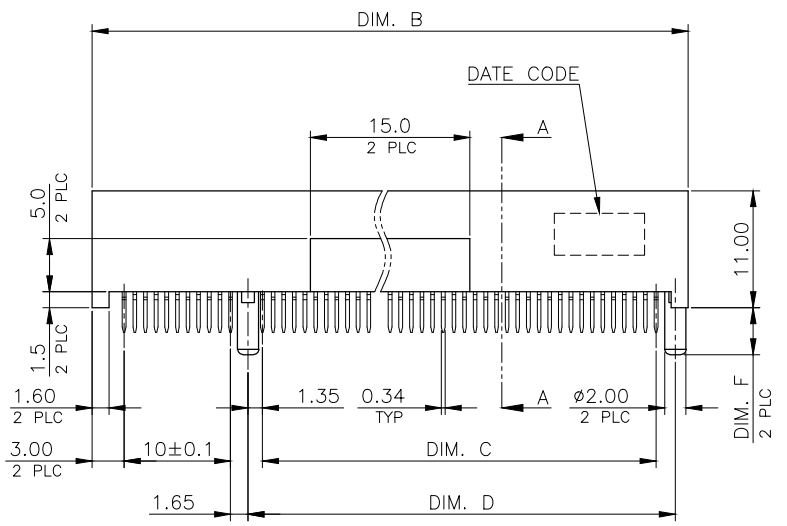
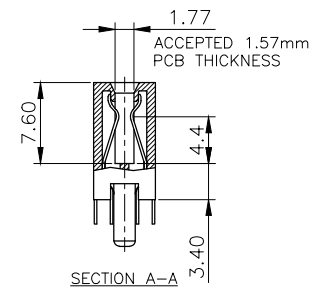
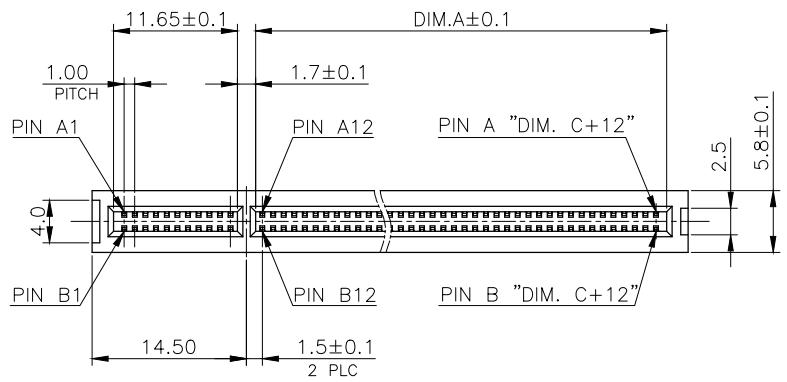
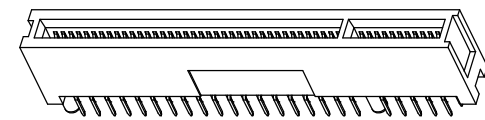


THIS DRAWING IS UNPUBLISHED. RELEASED FOR PUBLICATION
 © COPYRIGHT 2011 BY TYCO ELECTRONICS CORPORATION. ALL RIGHTS RESERVED.

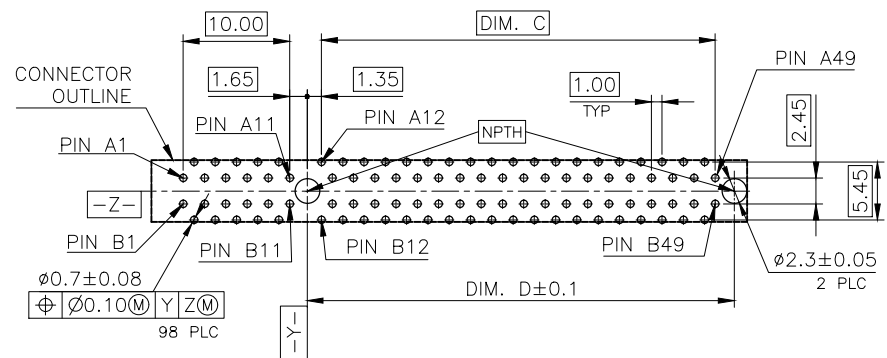
LOC DW	DIST	REVISIONS					
		P	LTR	DESCRIPTION	DATE	DWN	APVD
		B2		REVISED (ECR-15-000838) , ADD NEW PN	20JAN15	S.C.	H.L.



- NOTE:
- MATERIAL:
HOUSING: LCP WITH 30% GF, UL 94V-0, WHITE COLOR.
CONTACTS: PHOSPHOR BRONZE.
 - FINISH:
CONTACTS: GOLD PLATED (SEE TABLE) ON CONTACT AREA
2.54µm [100µ"] MIN. MATTE-TIN PLATING ON SOLDER AREA
1.27µm [50µ"] MIN. NICKEL UNDERPLATED OVERALL.
 - WAVE SOLDER CAPABLE TO 265°C PER TEST SPEC 109-202, CONDITION B.
 - REFLOW SOLDER CAPABLE TO 260°C PER TE SPEC. TEC-109-201, CONDITION B.
 - SPECIAL PACKAGE PER CUSTOMER REQUEST(SEE PAGE 4).



6.8	4.40	2.3	73.15	70.00	89.00	71.65	164	0.381µm [15µ"]	1-2041612-5
6.8	2.00	1.5	73.15	70.00	89.00	71.65	164	0.381µm [15µ"]	2041612-7
6.8	4.40	2.3	73.15	70.00	89.00	71.65	164	0.762µm [30µ"]	2041612-6
								0.381µm [15µ"]	2041612-5
4.2	4.40	2.3	40.15	37.00	56.00	38.65	98	GOLD FLASH	2041612-4
								0.762µm [30µ"]	2041612-3
								0.381µm [15µ"]	2041612-2
								GOLD FLASH	2041612-1
WEIGHT (GRAMS)	DIM F	DIM E	DIM D	DIM C	DIM B	DIM A	POS	MIN. GOLD THICKNESS	PART NUMBER



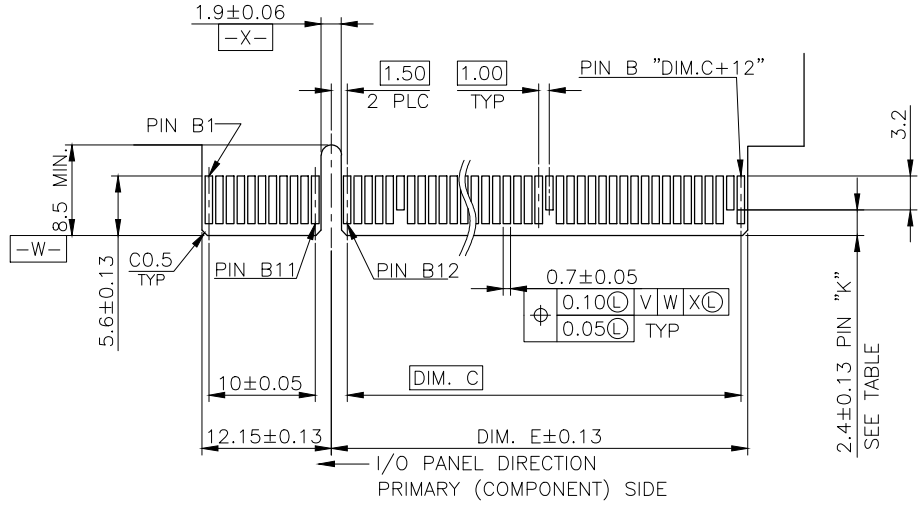
TOLERANCE: ±0.05, THICKNESS: 1.6mm
 RECOMMENDED PCB LAYOUT

THIS DRAWING IS A CONTROLLED DOCUMENT.

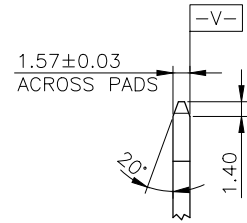
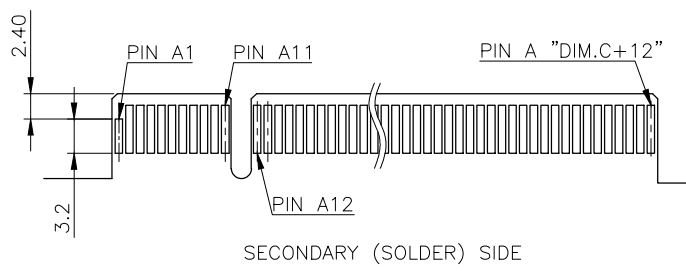
DIMENSIONS: mm	TOLERANCES UNLESS OTHERWISE SPECIFIED:	DWN E. LIU 11NOV2009	TE Connectivity PCI EXPRESS CARD EDGE CONNECTOR VERTICAL, SLIM, DIP TYPE
	0 PLC ± - 1 PLC ± 0.3 2 PLC ± 0.2 3 PLC ± 0.15 4 PLC ± - ANGLES ± 3°	CHK S. CHIEN 11NOV2009	
		APVD W. KODAMA 11NOV2009	
		NAME 108-57787	
MATERIAL SEE NOTE	FINISH SEE NOTE	PRODUCT SPEC 108-57787	SIZE A3
		APPLICATION SPEC	CAGE CODE 00779
		WEIGHT SEE TABLE	DRAWING NO C=2041612
		CUSTOMER DRAWING	RESTRICTED TO -
			SCALE -
			SHEET 1 of 4
			REV B2

THIS DRAWING IS UNPUBLISHED. RELEASED FOR PUBLICATION
 © COPYRIGHT 2011 BY TYCO ELECTRONICS CORPORATION. ALL RIGHTS RESERVED.

LOC	DIST	REVISIONS					
DW		P	LTR	DESCRIPTION	DATE	DWN	APVD
				SEE SHEET 1.			



ADD-IN CARD EDGE-FINGER DIMENSIONS



164	70.0	72.15	B17,B31,B48,B81
98	37.0	39.15	B17,B31,B48
POS.	DIM. C	DIM. E	"K"

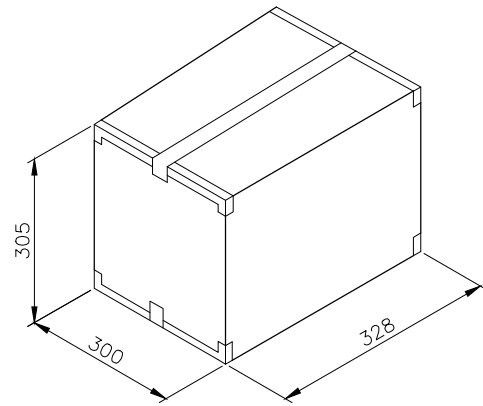
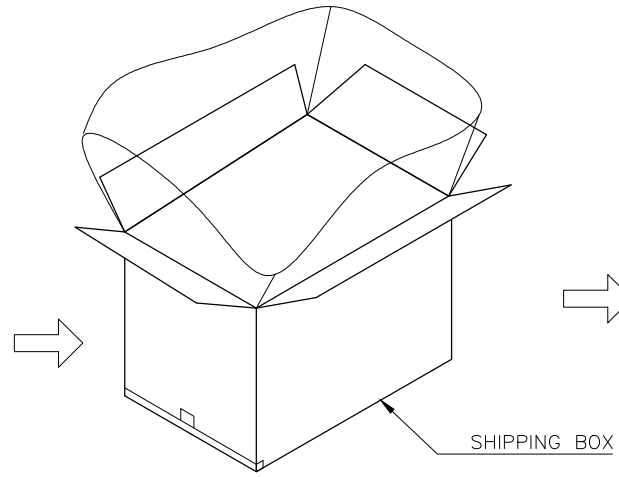
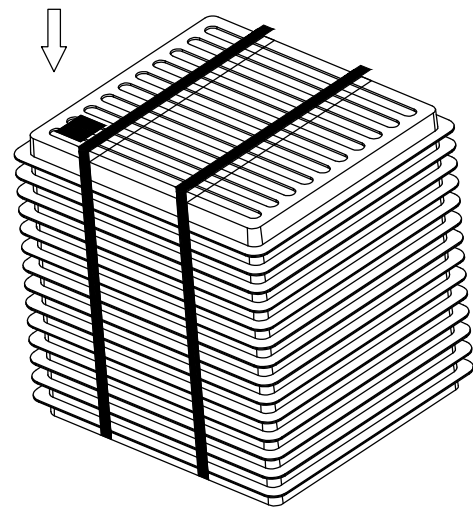
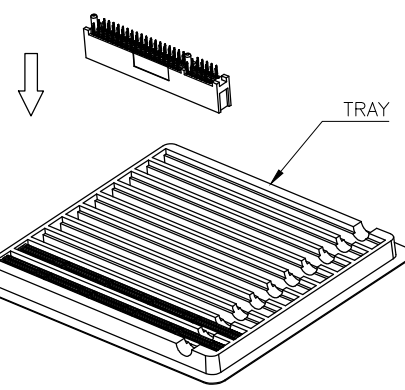
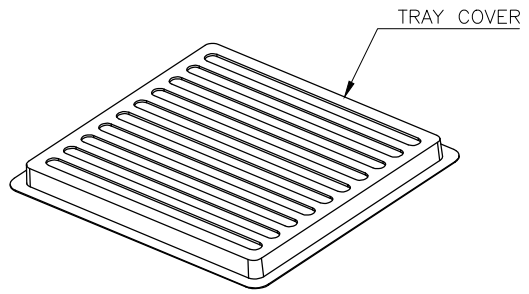
THIS DRAWING IS A CONTROLLED DOCUMENT.		DWN	TE Connectivity			
DIMENSIONS: mm		CHK				
TOLERANCES UNLESS OTHERWISE SPECIFIED:		APVD	NAME			
0 PLC ± - 1 PLC ± 0.3 2 PLC ± 0.2 3 PLC ± 0.15 4 PLC ± - ANGLES ± 3°		PRODUCT SPEC	PCI EXPRESS CARD EDGE CONNECTOR VERTICAL, SLIM, DIP TYPE			
MATERIAL		APPLICATION SPEC	SIZE	CAGE CODE	DRAWING NO	RESTRICTED TO
FINISH		WEIGHT	A3	00779	C=2041612	-
CUSTOMER DRAWING			SCALE	SHEET	2 of 4	REV B2

THIS DRAWING IS UNPUBLISHED. RELEASED FOR PUBLICATION
 © COPYRIGHT 2011 BY TYCO ELECTRONICS CORPORATION. ALL RIGHTS RESERVED.

LOC	DIST	REVISIONS					
DW		P	LTR	DESCRIPTION	DATE	DWN	APVD
				SEE SHEET 1.			

- NOTES:
- MATERIAL
 - TRAY: PVC
 - CONVER TRAY: PVC
 - SHIPPING BOX: CORRUGATED FIBER
 - DIMENSION
 - TRAY: 320mm(L) X 295mm(W) X 21mm(H)
 - BOX: 326mm(L) X 300mm(W) X 305mm(H)
 - QUANTITY: SEE TABLE.
 - WEIGHT: SEE TABLE.

164	60	14	840	5.7	9.4
98	100	14	1400	5.9	9.6
POS NO.	PIECES PER TRAY	TRAYS PER BOX	PIECES PER BOX	NET WEIGHT (Kg)	GROSS WEIGHT (Kg)



2041612-7
2041612-6
2041612-5
2041612-4
2041612-3
2041612-2
2041612-1
PART NUMBER

THIS DRAWING IS A CONTROLLED DOCUMENT.		DWN	TE Connectivity		
DIMENSIONS: mm		CHK	NAME		
TOLERANCES UNLESS OTHERWISE SPECIFIED:		APVD	PCI EXPRESS CARD EDGE CONNECTOR VERTICAL, SLIM, DIP TYPE		
0 PLC ±		PRODUCT SPEC	SIZE	CAGE CODE	DRAWING NO
1 PLC ±0.3		APPLICATION SPEC	A3	00779	C=2041612
2 PLC ±0.2		WEIGHT	RESTRICTED TO		
3 PLC ±0.15		CUSTOMER DRAWING	SCALE		
4 PLC ±			SHEET 3 of 4		
ANGLES ±3'			REV B2		
MATERIAL					
FINISH					

THIS DRAWING IS UNPUBLISHED. RELEASED FOR PUBLICATION
 © COPYRIGHT 2011 BY TYCO ELECTRONICS CORPORATION. ALL RIGHTS RESERVED.

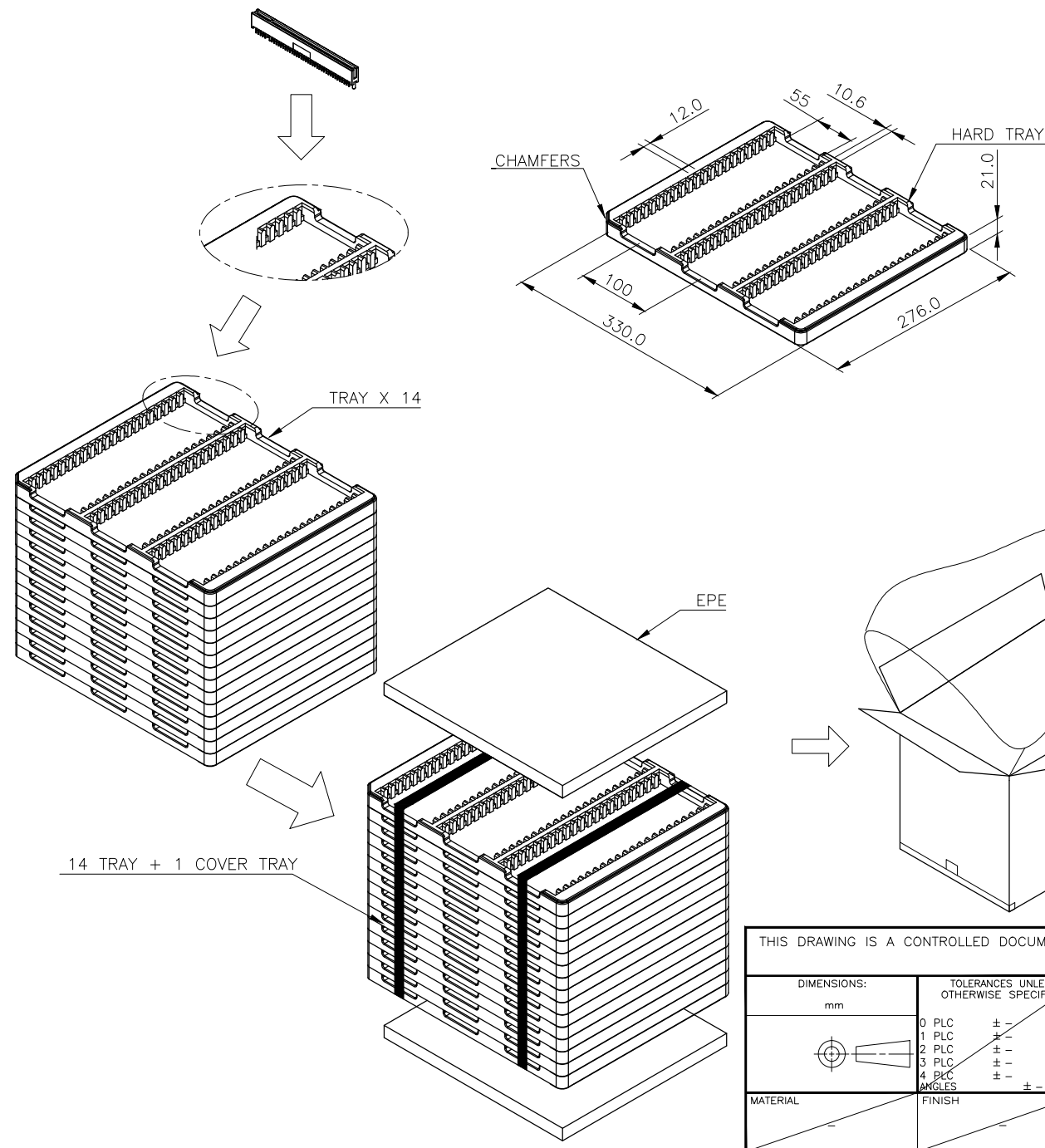
LOC	DIST	REVISIONS					
DW		P	LTR	DESCRIPTION	DATE	DWN	APVD
		SEE SHEET 1.					

D

C

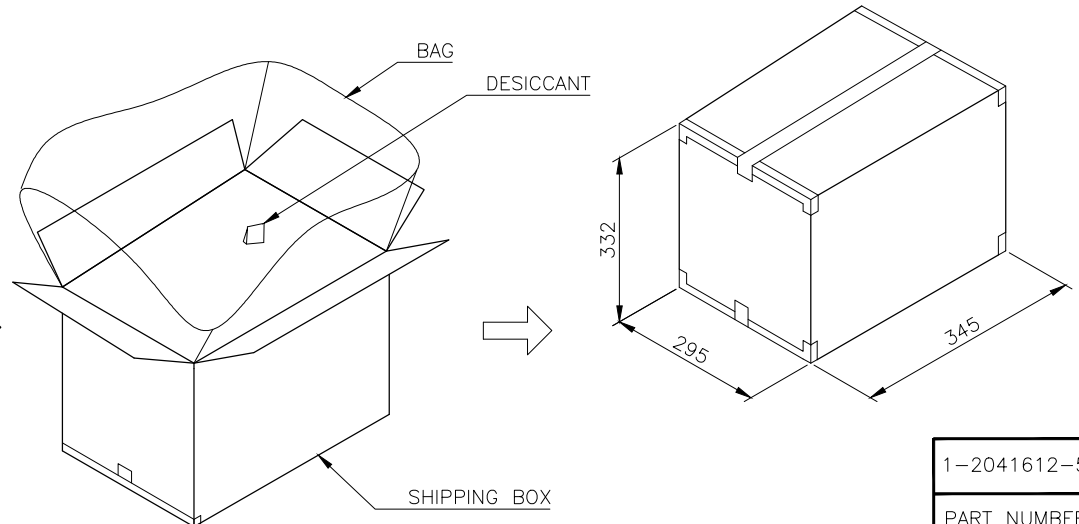
B

A



- NOTES:
- MATERIAL
 - TRAY; ABS, COLOR: BLACK.
 - CARTON: CORRUGATED FIBER.
 - TRANSPARENT BAG; PE, SIZE: 500mm*380mm*0.06mm.
 - EACH BAG SHALL BE INCLUDED:: * DESICCANT
 - DIMENSION
 - TRAY: 330mm(L) X 276mm(W) X 21mm(H)
 - BOX: 332mm(L) X 295mm(W) X 345mm(H)
 - QUANTITY: SEE TABLE.
 - WEIGHT: SEE TABLE.

164	66	14	924	5.7	11
POS NO.	PIECES PER TRAY	TRAYS PER BOX	PIECES PER BOX	NET WEIGHT (Kg)	GROSS WEIGHT (Kg)



1-2041612-5
 PART NUMBER

THIS DRAWING IS A CONTROLLED DOCUMENT.		DWN	TE Connectivity		
DIMENSIONS: mm		CHK	PCI EXPRESS CARD EDGE CONNECTOR VERTICAL, SLIM, DIP TYPE		
TOLERANCES UNLESS OTHERWISE SPECIFIED:		APVD	NAME	RESTRICTED TO	
0 PLC ± -		PRODUCT SPEC	SIZE	CAGE CODE	DRAWING NO
1 PLC ± -		APPLICATION SPEC	A3	00779	C-2041612
2 PLC ± -		WEIGHT	CUSTOMER DRAWING		
3 PLC ± -		CUSTOMER DRAWING	SCALE	SHEET	REV
4 PLC ± -				4 of 4	B2
ANGLES ± -					
FINISH					